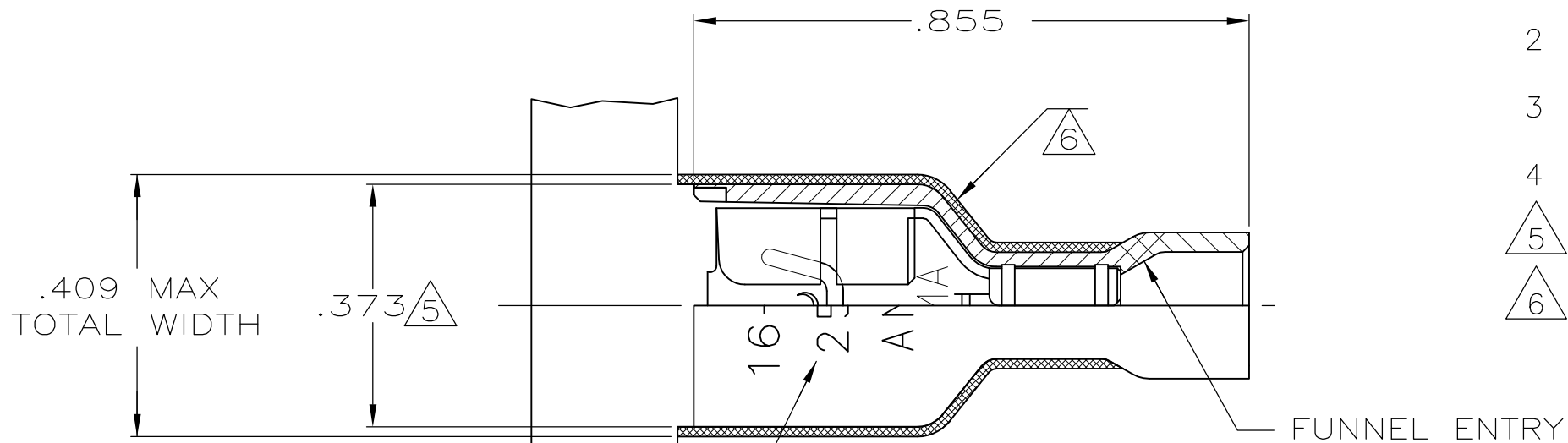


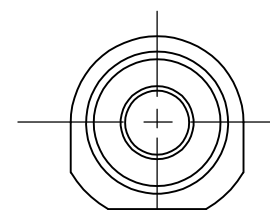
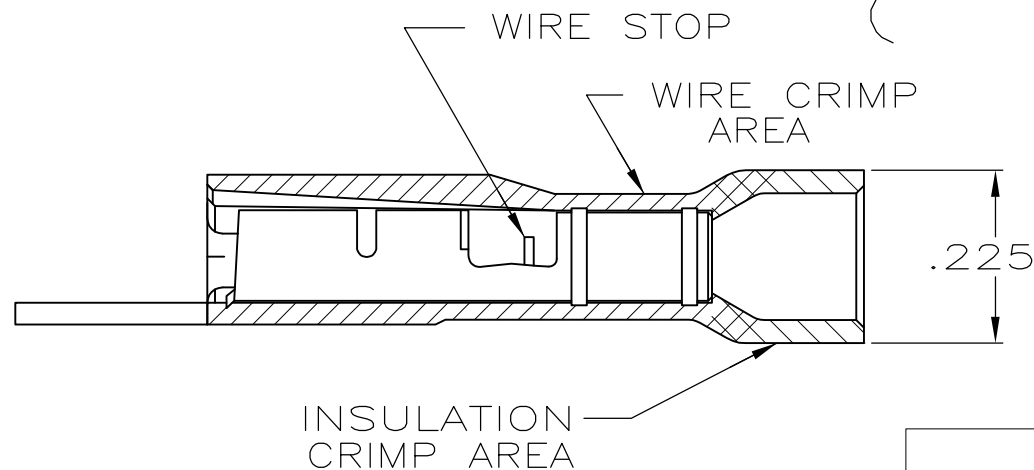
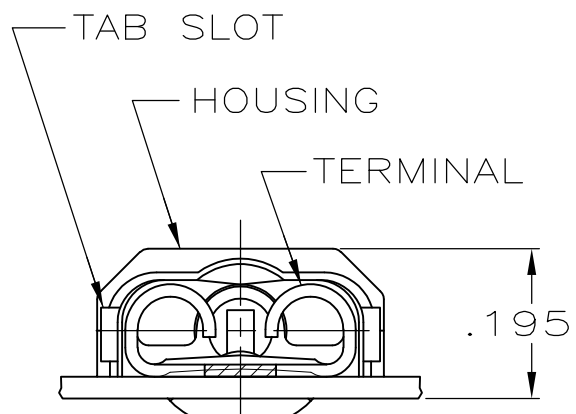
THIS DRAWING IS UNPUBLISHED. RELEASED FOR PUBLICATION

© COPYRIGHT - By - ALL RIGHTS RESERVED.

LOC	DIST	REVISIONS					
AF	50	P	LTR	DESCRIPTION	DATE	DWN	APVD
		L		REVISED PER ECR-13-004343	30JUL13	KH	KR



- 1 MATES WITH .032±.001x.250 TAB
- 2 WIRE STRIP LENGTH .281
- 3 INSULATION SIZE .090-.160 DIA
- 4 CONTINUOUS STRIP ON REELS
- △5 DIMENSION DOES NOT INCLUDE TRIM BURR
- △6 .015 MAX CARRIER TRIM BURR PER SIDE IS ALLOWABLE IN THE SHADED AREA



HOUSING: NYLON, COLOR-BLUE TRANSLUCENT RECEPTACLE: BRASS TIN	3-520406-2
MATERIAL & FINISH	PART NO

THIS DRAWING IS A CONTROLLED DOCUMENT.		DWN	10/27/88		<b>STE</b> TE Connectivity
		P	FORTNEY		
		CHK	11/3/88		
		MS	FEHER		
		APVD	11/14/88		RECEPTACLE ASSY, ULTRA-FAST PLUS, .250 SERIES, 16-14 AWG
		K	RANDOLPH		
		PRODUCT SPEC			108-2044
		APPLICATION SPEC			
		114-2123			A3 00779 C-520406
		WEIGHT -			
MATERIAL		FINISH			RESTRICTED TO -
SEE TABLE		SEE TABLE			
		CUSTOMER DRAWING			SCALE 4:1
					SHEET 1 OF 1
					REV L